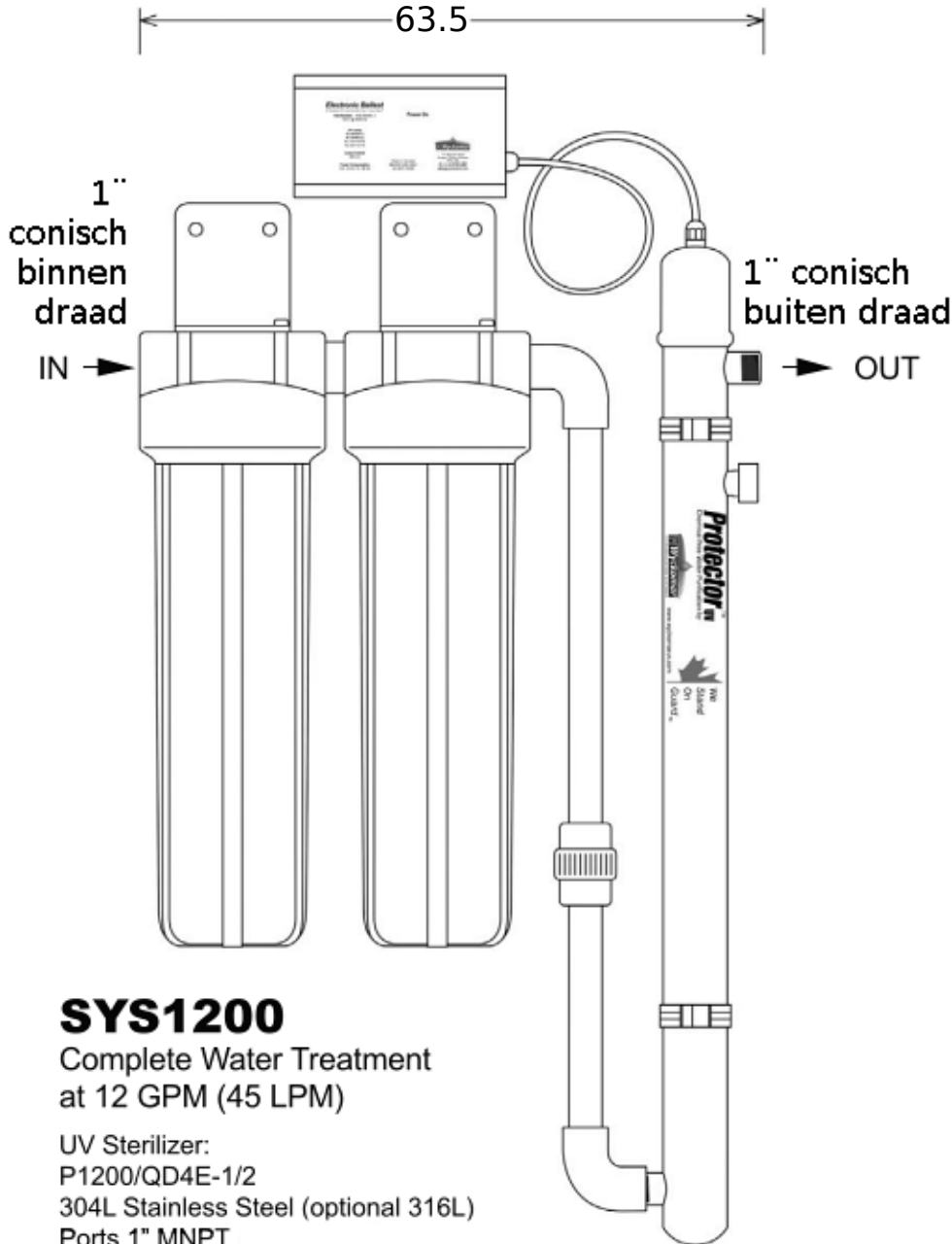
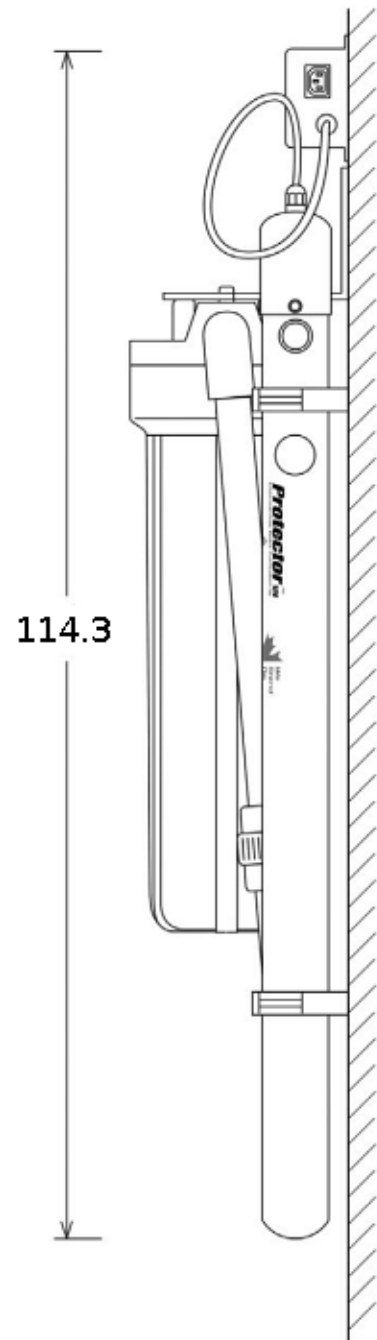


## Vooraanzicht



## Zijaanzicht



### **SYS1200**

Complete Water Treatment  
at 12 GPM (45 LPM)

UV Sterilizer:  
P1200/QD4E-1/2  
304L Stainless Steel (optional 316L)  
Ports 1" MNPT

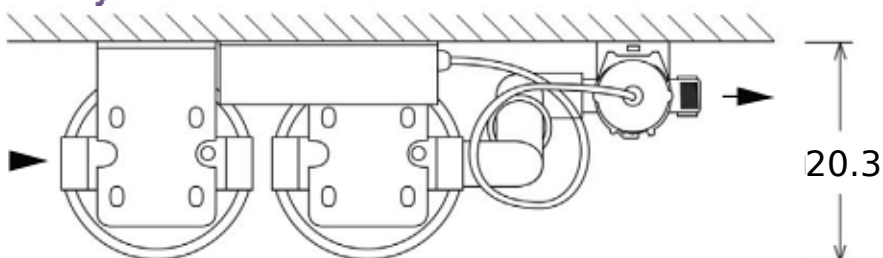
Filtration:  
20" BigBlue PolySpun Sediment Filter  
20" BigBlue Carbon Block Filter

S-Pipe:  
PVC Schedule 80  
(optional SS 304L or 316L)

Electronics:  
BE-800WL-1/2 Ballast Electronic  
w/ Power LED, Lamp Out Alarm

[www.hydrotense.eu](http://www.hydrotense.eu)

## Bovenaanzicht



Alle afmetingen in cm.